



Service part catalogue

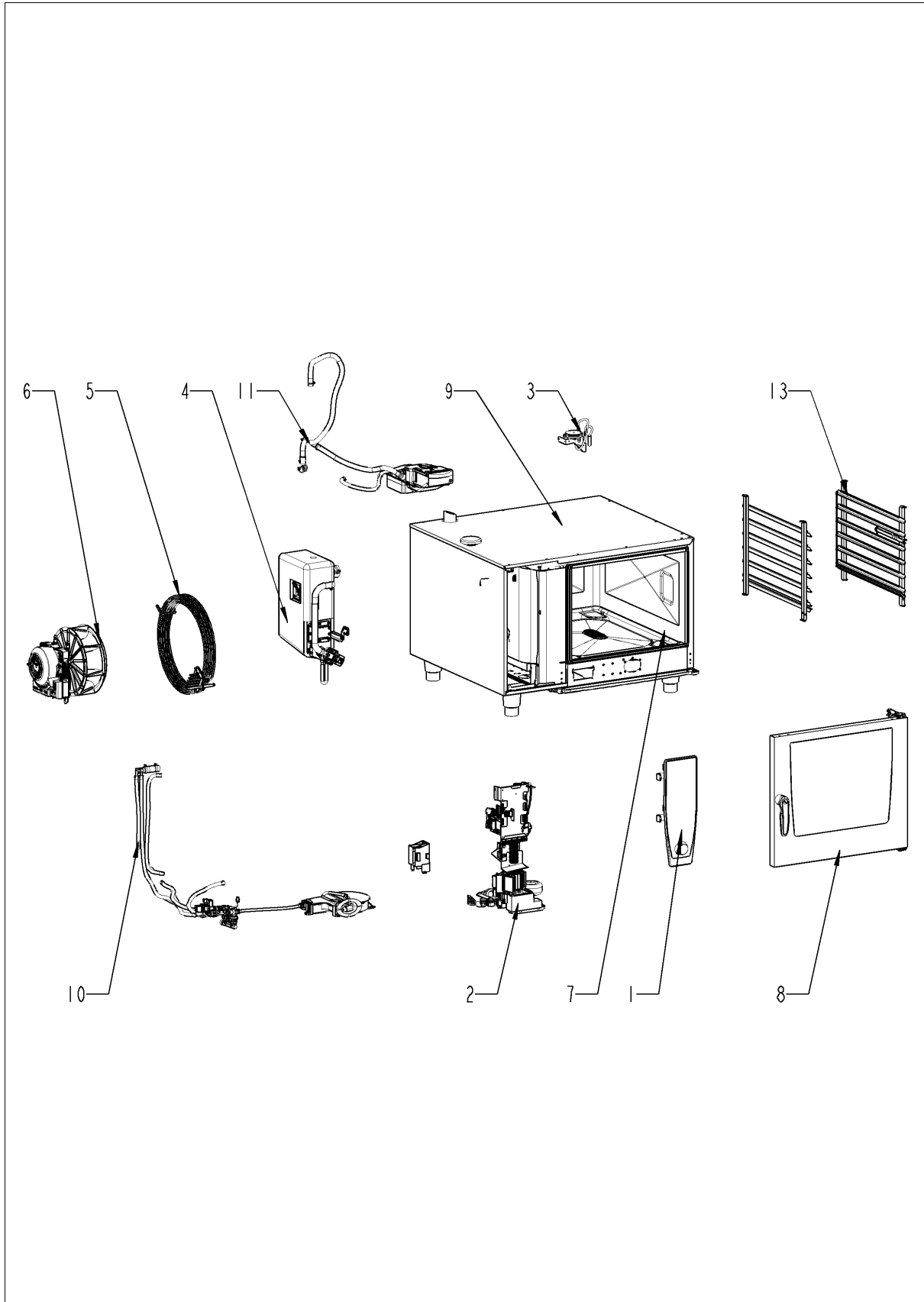
SelfCookingCenter® ab 09/2016

SelfCooking Center 62 - 6 x 2/1 GastronormE

E62SI1608



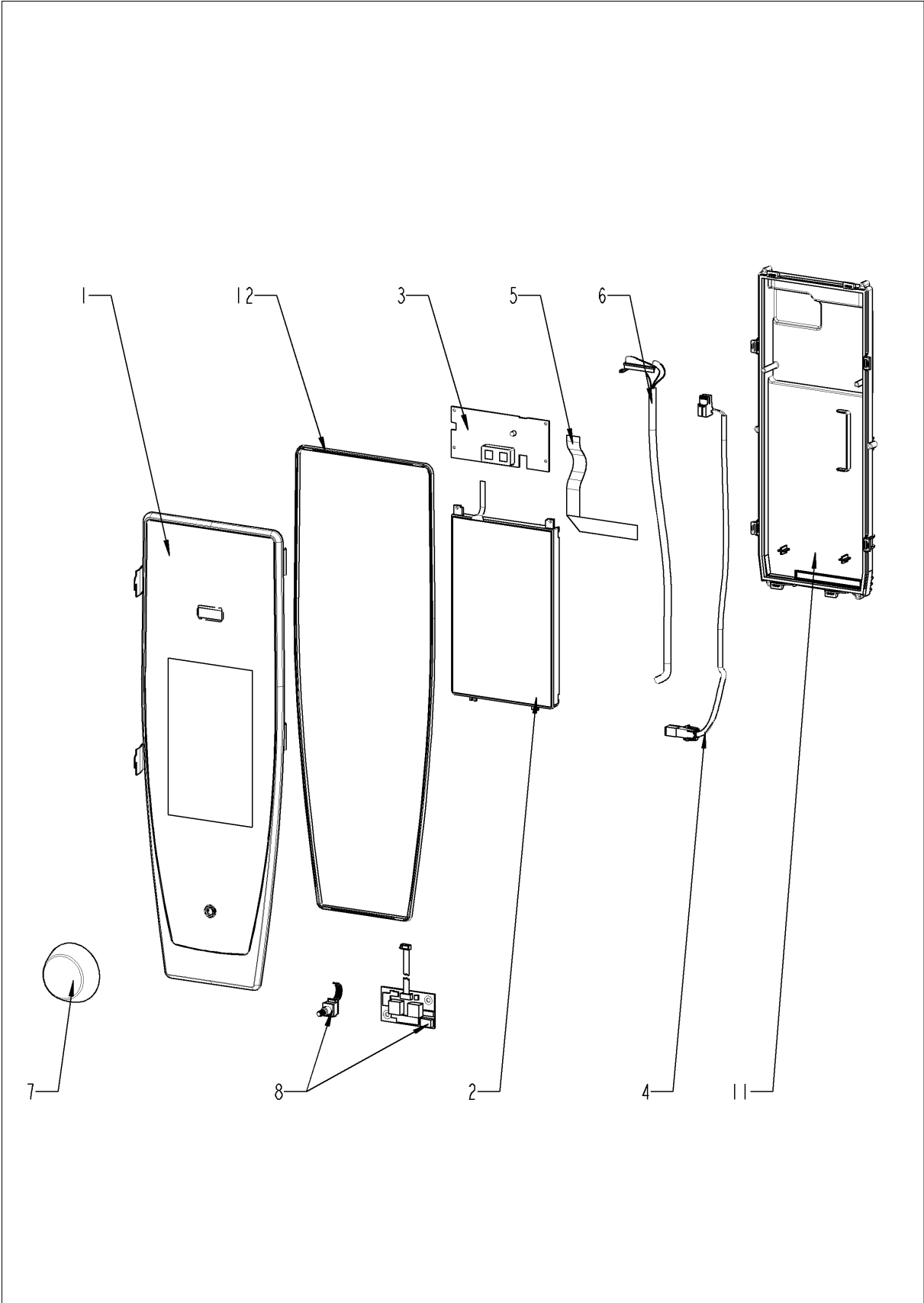
Overview



Overview

| Pos. | Assembly | Page |
|------|-------------------------------|------|
| 1 | Control panel | 4 |
| 2 | Electrical installation | 6 |
| 3 | ClimaPlus | 10 |
| 4 | Steam generator | 12 |
| 5 | Hot air heating | 16 |
| 6 | Motor and fan wheel | 18 |
| 7 | Interior cabinet | 20 |
| 8 | Door | 24 |
| 9 | Exterior cabinet | 28 |
| 10 | Water | 32 |
| 11 | CleanJet + Care | 34 |
| 13 | Standard accessory | 36 |

Control panel



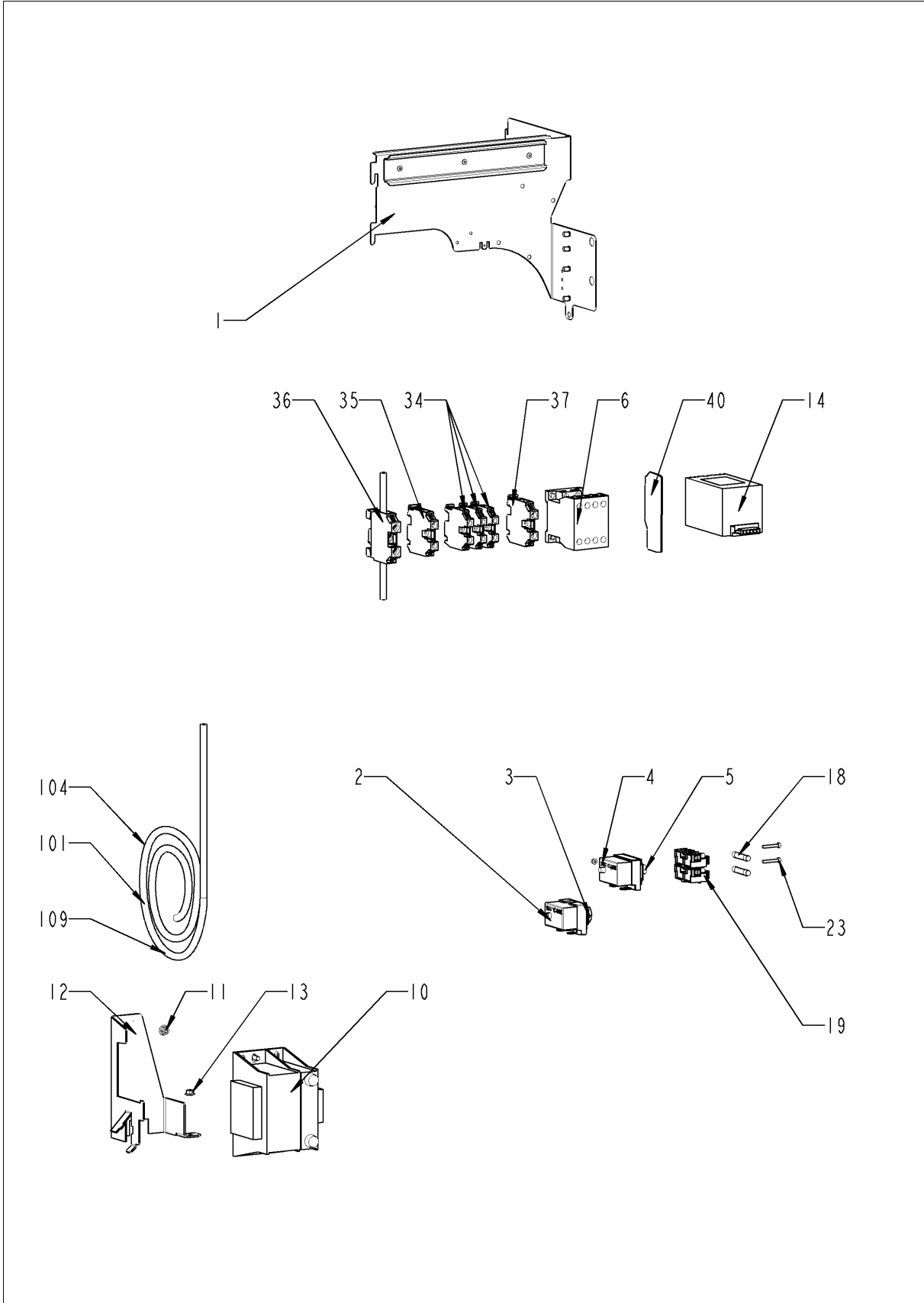
Control panel

| Pos. | Part no. | Description | Qty. |
|-------------|-----------------|-----------------------------------------|-------------|
| 1 | 87.01.301 | Control panel insert with overlay *RAT* | 1 |
| 2 | 42.00.112 | Operator pcb *TFT* | 1 |
| 3 | 42.00.081 | MMI pcb | 1 |
| 4 | 40.03.467 | Cable On-Off switch MMI | 1 |
| 5 | 40.03.515 | Cable MMI - TFT | 1 |
| 6 | 40.03.516 | Cable MMI - CPU | 1 |
| 7 | 16.02.062 | Dial f. pulse generator | 1 |
| 8 | 40.00.404 | Pulse generator | 1 |
| 11 | 16.02.889 | Cover f. control pcb w. gasket | 1 |
| 12 | 16.02.865 | Sealing f. panel insert | 1 |

Electrical installation

| Pos. | Part no. | Description | Qty. |
|-------------|-----------------|------------------------------------------|-------------|
| 1 | 40.00.453 | Solid state relais | 2 |
| 2 | 10.00.061 | Pan head screw Torx T20 M4x12 | 4 |
| 3 | 10.00.061 | Pan head screw Torx T20 M4x12 | 1 |
| 4 | 1204.0120 | Tooth lock washer A4,3 | 1 |
| 5 | 40.03.932 | Heat sink big 2 SSR | 1 |
| 6 | 40.03.372 | Mounting device heat sink SSR | 1 |
| 7 | 10.01.266 | Pan head screw Torx T20 10,5mm | 6 |
| 8 | 1105.0120 | Hex nut M5 | 1 |
| 9 | 1205.0120 | Tooth lock washer A5,3 | 1 |
| 10 | 40.03.661 | Fan housing | 1 |
| 11 | 40.03.428 | Cooling fan with NTC | 1 |
| 12 | 40.03.257 | Converter 230VAC 24VDC | 1 |
| 18 | 42.00.261 | Control pcb | 1 |
| 19 | 42.00.128 | SD-memory card | 1 |
| 20 | 40.03.359 | Mounting base for control pcb | 1 |
| 21 | 10.00.989 | Rivet with screw | 2 |
| 23 | 10.00.061 | Pan head screw Torx T20 M4x12 | 1 |
| 24 | 40.03.756 | Fixing clip f. pcb | 1 |
| 25 | 40.03.533 | Fixing clip f. pcb | 4 |
| 26 | 40.03.732 | Tie rap 160 mm | 3 |
| 35 | 1105.0121 | Hex combination nut M5 galv | 2 |
| 36 | 40.00.306 | Cable entry | 1 |
| 41 | 40.03.928 | Loudspeaker cpl. | 1 |
| 43 | 8801.0136 | Power supply cable 5x4mm ² 3m | 1 |
| 45 | 42.00.224 | Power supply for level interior light | 1 |
| 100 | 40.03.998 | Bus cable 1.15m | 1 |
| 107 | 40.04.362 | Wiring interior light | 1 |
| 108 | 40.05.297 | Cable, interior light W48 | 1 |
| A | | Electrical installation | 1 |

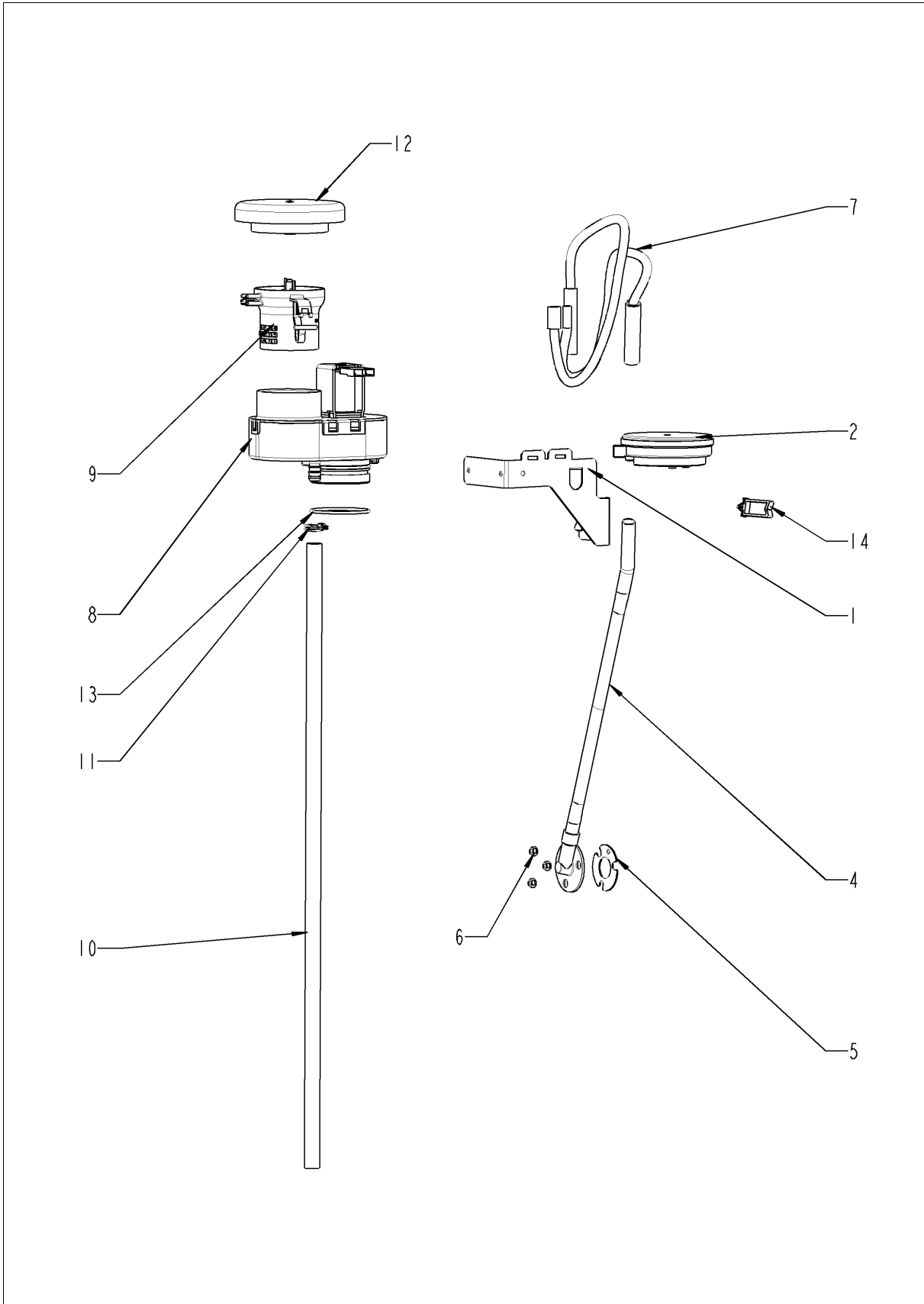
Electrical installation



Electrical installation

| Pos. | Part no. | Description | Qty. |
|-------------|-----------------|----------------------------------------|-------------|
| 1 | 40.03.360 | Contacteur assembly | 1 |
| 2 | 40.01.329 | Dry up protector 183°C | 1 |
| 3 | 3014.0327 | Hex nut M10x1,0 | 1 |
| 4 | 40.01.482 | Safety temperature limiter 365°C | 1 |
| 5 | 3014.0327 | Hex nut M10x1,0 | 1 |
| 6 | 40.03.668 | Contacteur B&J K3-24B00 190 R | 1 |
| 7 | 40.02.641 | Auxilliary contact B&J HN10 N/O | 1 |
| 10 | 40.03.348 | Control transformer T1 | 1 |
| 11 | 10.01.065 | Hex nut M5 | 1 |
| 12 | 40.03.404 | Mounting support transformer | 1 |
| 13 | 10.01.065 | Hex nut M5 | 1 |
| 14 | 40.02.424 | Electronic noise filter | 1 |
| 18 | 4001.0224 | Fuse 6.35x32mm | 2 |
| 19 | 40.02.512 | Fuse holder 2x6.3A | 1 |
| 23 | 10.00.365 | Pan head screw Torx M3x20 | 2 |
| 34 | 40.04.639 | Terminal block grey WKFN 6/35 | 3 |
| 35 | 40.05.026 | Terminal block blue WKFN16/35 | 1 |
| 36 | 40.05.274 | Earth terminal WKFN 16 SL/35 | 1 |
| 37 | 40.04.642 | Terminal block grey WKFN 10 D1/2/35 | 1 |
| 37 | 40.04.645 | Terminal block grey WKFN 16 D1/2/35 | 1 |
| 101 | 40.04.331 | Adaptor cable f. Ball valve drain | 1 |
| 104 | 40.04.956 | Cable control harness | 1 |
| 104 | 40.04.956 | Cable control harness | 1 |
| 109 | 40.02.965 | Cable harness solenoid valve / SC-pump | 1 |

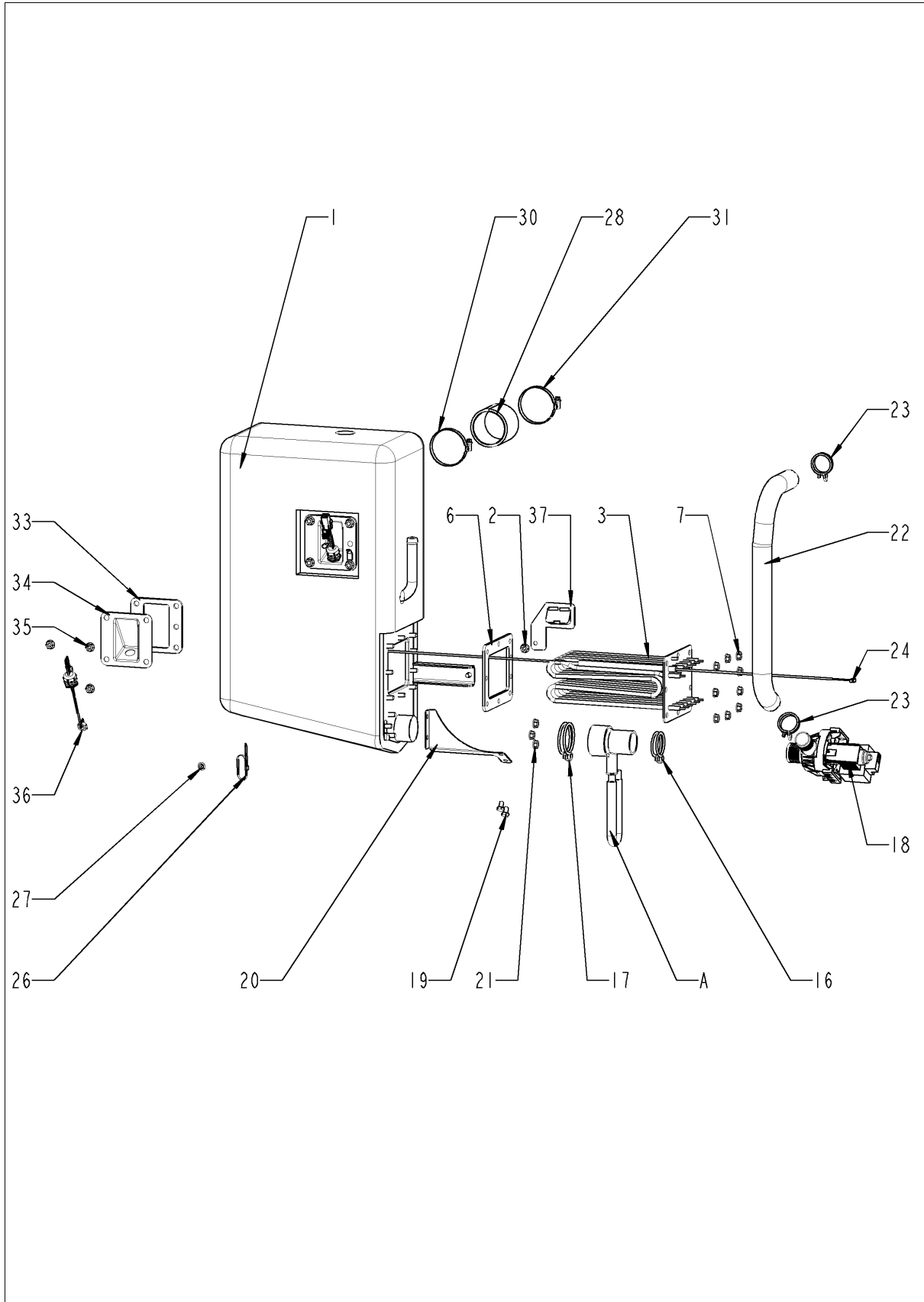
ClimaPlus



ClimaPlus

| Pos. | Part no. | Description | Qty. |
|-------------|-----------------|-----------------------------------------------|-------------|
| 1 | 22.00.882 | Mounting device f. pressure sensor | 1 |
| 2 | 3017.1011 | Pressure sensor for humidity control Huba 401 | 1 |
| 4 | 22.00.850 | Outer humidity meas. Piece | 1 |
| 5 | 22.00.881 | Gasket f. hum. meas. Pipe | 1 |
| 6 | 1104.0122 | Hex combination nut M4 galv | 3 |
| 7 | 22.00.525 | Hose set f. humidity control | 1 |
| 8 | 22.00.725 | Humidity control cpl. | 1 |
| 9 | 22.00.914 | Air inlet pipe | 1 |
| 10 | 22.00.959 | Drain hose for humidity control | 1 |
| 11 | 2066.0527 | Hose clamp ø14mm | 2 |
| 12 | 22.00.767 | Vent cover | 1 |
| 13 | 22.00.837 | O-ring for humidity control | 2 |
| 14 | 10.00.111 | Cable clip long | 2 |

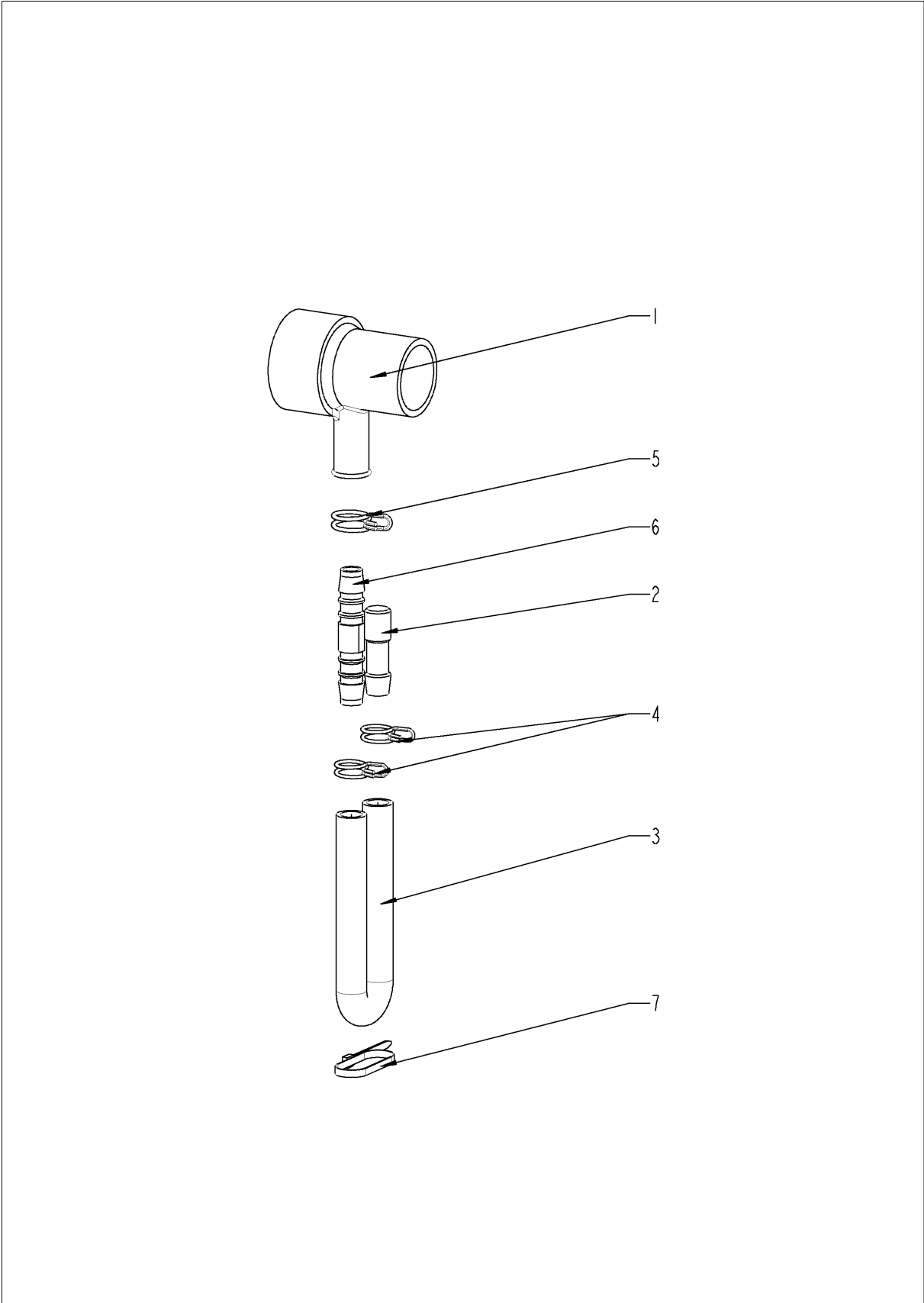
Steam generator



Steam generator

| Pos. | Part no. | Description | Qty. |
|-------------|-----------------|--------------------------------------------------|-------------|
| 1 | 44.00.939 | Steam generator insolated | 1 |
| 2 | 10.00.709 | Hex nut M6 w. locking | 1 |
| 3 | 44.01.334 | Heating element | 1 |
| 6 | 44.00.279 | Gasket f. heating element | 1 |
| 7 | 10.00.709 | Hex nut M6 w. locking | 9 |
| 16 | 2066.0519 | Hose clamp Ø35,6mm | 1 |
| 17 | 2066.0526 | Hose clamp ø46mm | 1 |
| 18 | 44.00.207 | Emptying pump | 1 |
| 19 | 1006.0762 | Hex screw M6x10 | 2 |
| 20 | 44.01.201 | Fixing device f. pump steam generator | 1 |
| 21 | 10.00.709 | Hex nut M6 w. locking | 2 |
| 22 | 44.01.220 | Drain hose steam generator | 1 |
| 23 | 2066.0518 | Hose clamp 30mm | 2 |
| 24 | 40.04.106 | Thermocouple steam generator *B5* | 1 |
| 26 | 10.00.414 | Cable strap black 120° | 1 |
| 27 | 1104.0122 | Hex combination nut M4 galv | 1 |
| 28 | 2112.1006 | Steam hose Ø50x50mm | 1 |
| 30 | 2066.0504 | Hose clamp 40-60mm | 1 |
| 31 | 2066.0504 | Hose clamp 40-60mm | 1 |
| 33 | 44.00.280 | Gasket f. heating element+Level elektrode insert | 1 |
| 34 | 2920.1300 | Level elektrode insert | 1 |
| 35 | 10.00.709 | Hex nut M6 w. locking | 4 |
| 36 | 44.01.417 | Filling level electrode 90 mm | 1 |
| 37 | 44.01.168 | Fixing angle steam generator | 1 |
| A | 8354.1320 | Pump connection spout cpl. | 1 |

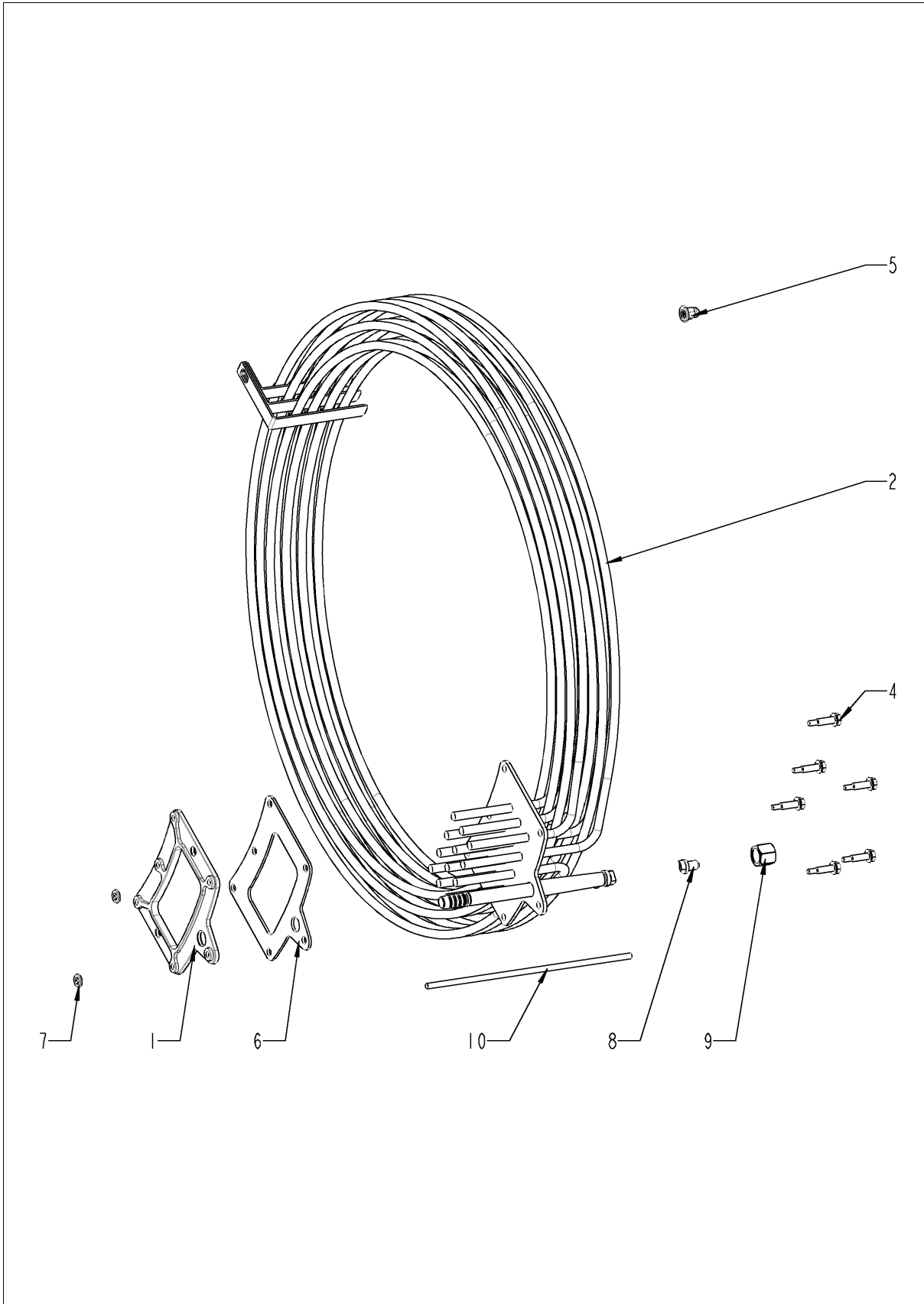
Pump connection spout



Pump connection spout

| Pos. | Part no. | Description | Qty. |
|------|-----------|-----------------------------------|------|
| 1 | 2118.1000 | Pump connection spout | 1 |
| 2 | 2120.1259 | Stop plug 10mm | 1 |
| 3 | 2110.1008 | Silicon hose \varnothing 10x2mm | 1 |
| 4 | 2066.0527 | Hose clamp \varnothing 14mm | 2 |
| 5 | 2066.0530 | Hose clamp \varnothing 16.4mm | 1 |
| 6 | 2062.0331 | Junction pressure hose GS 10 | 1 |
| 7 | 4005.0101 | Tie rap 145 mm | 1 |

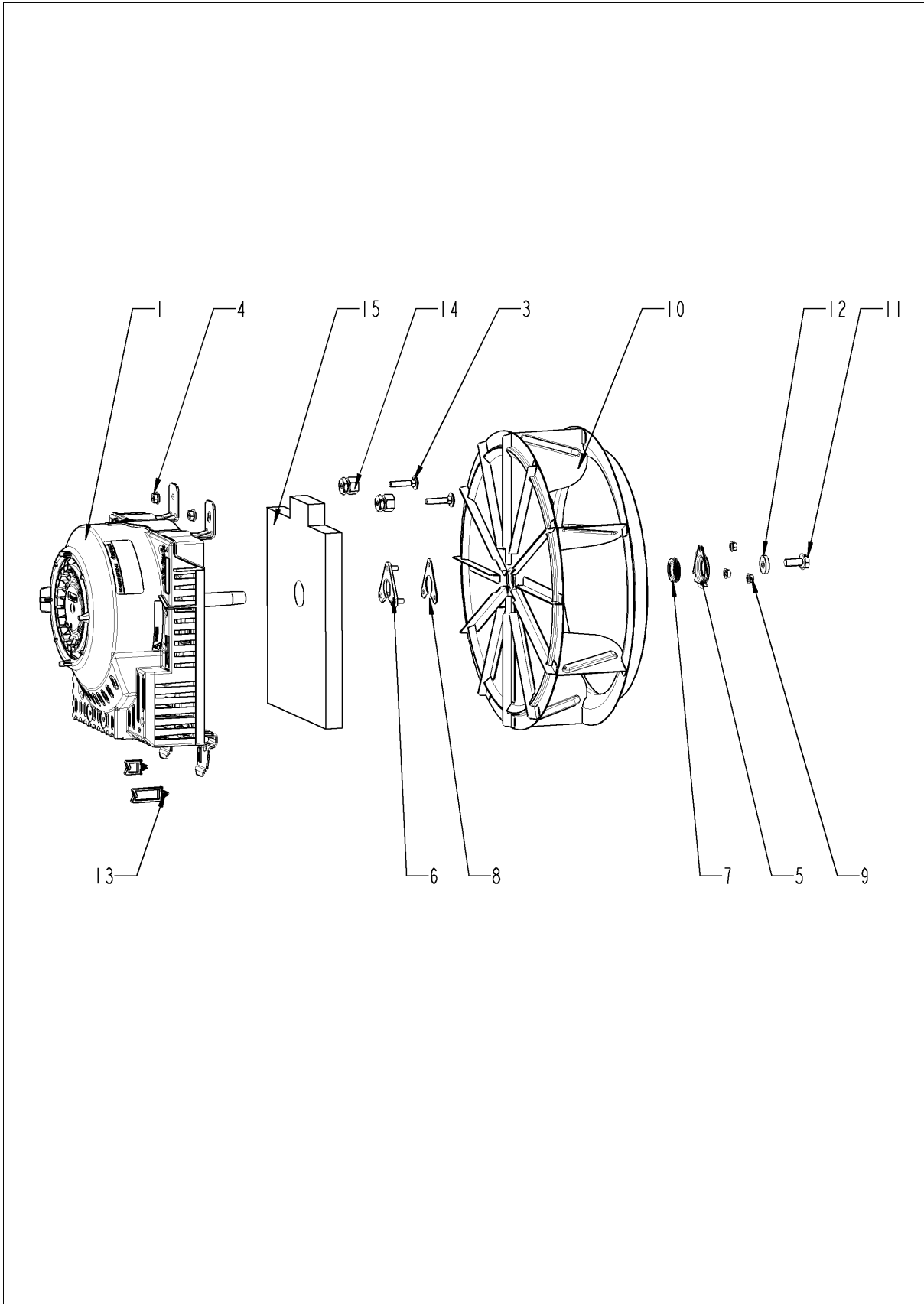
Hot air heating



Hot air heating

| Pos. | Part no. | Description | Qty. |
|-------------|-----------------|-----------------------------------|-------------|
| 1 | 40.03.410 | Mating flange f. heating assembly | 1 |
| 2 | 40.03.296 | Heating assembly | 1 |
| 4 | 10.00.109 | Hex screw M5x23 | 6 |
| 5 | 10.01.076 | Cap nut M5*A2 | 1 |
| 6 | 40.03.415 | Gasket f. heating assembly | 1 |
| 7 | 1107.0103 | Star lock ø3 | 2 |
| 8 | 50.00.844 | Nozzle f. moistening | 1 |
| 9 | 50.00.846 | Union nut M12x13.2 N | 1 |
| 10 | 50.01.721 | Plastic pipe 4,5x0,75x178mm | 1 |

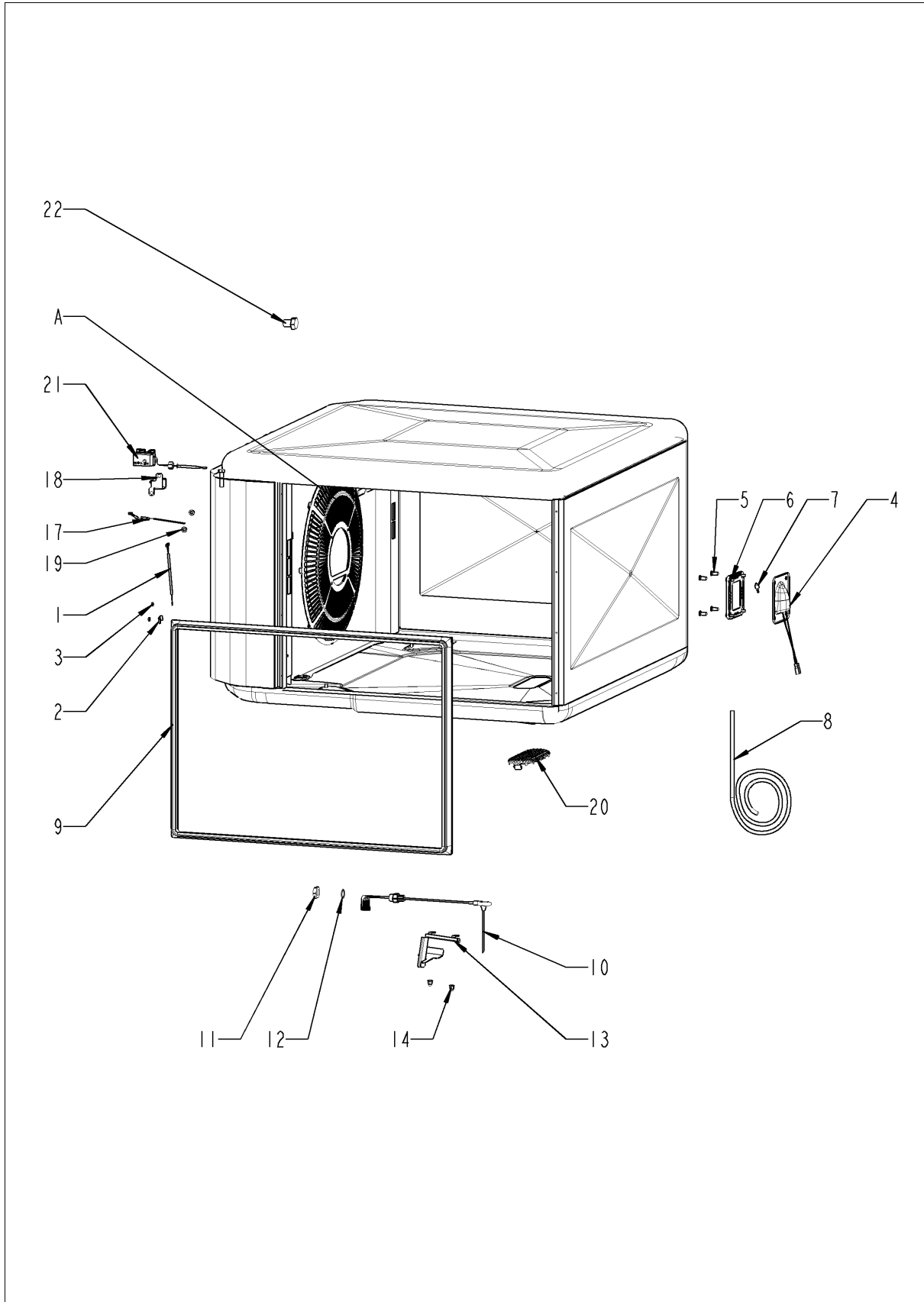
Motor and fan wheel



Motor and fan wheel

| Pos. | Part no. | Description | Qty. |
|-------------|-----------------|----------------------------------------|-------------|
| 1 | 40.03.513 | Fan motor with motor shaft gasket | 1 |
| 3 | 10.01.049 | Square necked mushroom head bolt 6x30 | 4 |
| 4 | 10.00.709 | Hex nut M6 w. locking | 2 |
| 5 | 22.00.721 | Flange f. motor shaft gasket | 1 |
| 6 | 22.00.722 | Mounting support f. gasket flange | 1 |
| 7 | 22.00.985 | Motor shaft gasket D15 | 1 |
| 8 | 22.01.196 | Graphit seal for gasket flange | 1 |
| 9 | 10.01.065 | Hex nut M5 | 3 |
| 10 | 22.00.829 | Fan wheel | 1 |
| 11 | 10.00.936 | Hex screw M8x20 | 1 |
| 12 | 1308.0162 | Washer A8,4 | 1 |
| 13 | 10.00.111 | Cable clip long | 3 |
| 14 | 20.01.411 | Bushing for motor mounting bar | 4 |
| 15 | 20.01.755 | Isolation for mounting plate for motor | 1 |

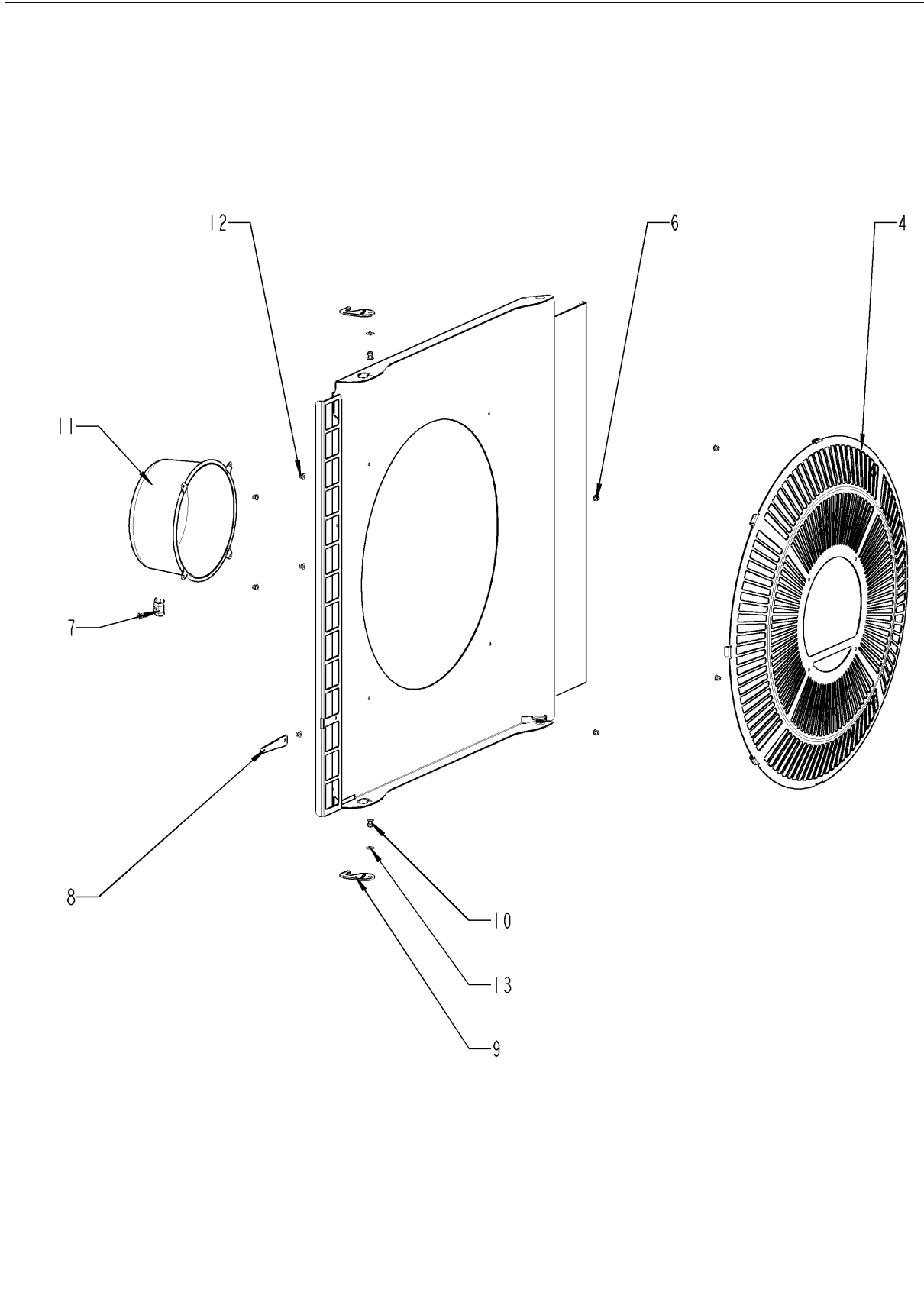
Interior cabinet



Interior cabinet

| Pos. | Part no. | Description | Qty. |
|-------------|-----------------|-----------------------------------------|-------------|
| 1 | 40.00.290 | Thermocouple humidity *B4* | 1 |
| 2 | 10.00.087 | Clamp strap f. sensor | 1 |
| 3 | 10.00.100 | Hex nut M4, self-locking | 1 |
| 4 | 40.00.098 | Reflector f. interior light | 1 |
| 5 | 10.01.429 | Rivet nut M5 hexagon closed with gasket | 4 |
| 6 | 40.00.091 | Gasket frame w. glass a. gaskets | 1 |
| 7 | 3024.0201 | Halogen bulb 300°C | 1 |
| 8 | 40.04.362 | Wiring interior light | 1 |
| 9 | 20.02.551 | Door gasket | 1 |
| 10 | 40.04.098 | Meat probe sensor | 1 |
| 11 | 10.00.612 | Hex nut M16 flat | 1 |
| 12 | 1315.0104 | Copper washer 16x20x1,5 | 1 |
| 13 | 40.04.373 | Screen core temperature sensor | 1 |
| 14 | 10.01.076 | Cap nut M5*A2 | 2 |
| 17 | 40.04.085 | Thermocouple interior cabinet B1 | 1 |
| 18 | 40.03.782 | Screen interior cabinet sensor | 1 |
| 19 | 10.01.076 | Cap nut M5*A2 | 2 |
| 20 | 54.01.117 | Outlet sieve | 1 |
| 21 | 40.01.482 | Safety temperature limiter 365°C | 1 |
| 22 | 3014.0327 | Hex nut M10x1,0 | 1 |
| A | 22.00.702 | Air baffle | 1 |

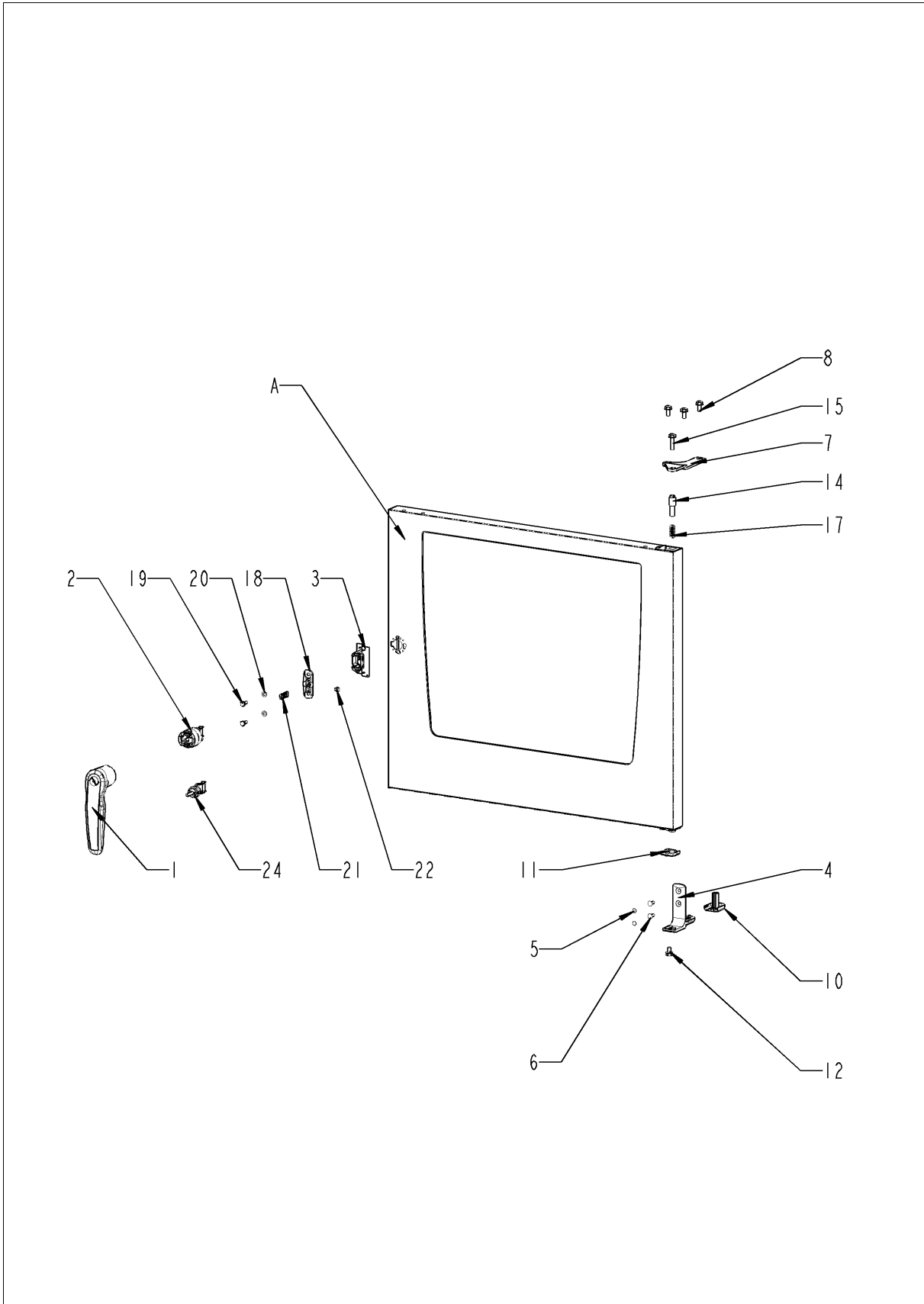
Air baffle



Air baffle

| Pos. | Part no. | Description | Qty. |
|------|-----------|-----------------------------------|------|
| 4 | 22.00.730 | Hand protection | 1 |
| 6 | 10.00.515 | Rivet 3,2x5 A4 | 4 |
| 7 | 40.03.780 | Fixing clip core temp. cable | 1 |
| 8 | 22.00.491 | Surge guard for Meat probe sensor | 1 |
| 9 | 2760.1370 | Latch hook for air baffle | 2 |
| 10 | 1604.0167 | Rivet 4x10 | 3 |
| 11 | 22.00.361 | Deep-draw f. air baffle | 1 |
| 12 | 10.00.515 | Rivet 3,2x5 A4 | 4 |
| 13 | 10.00.744 | Washer A4,3 *A4 | 3 |

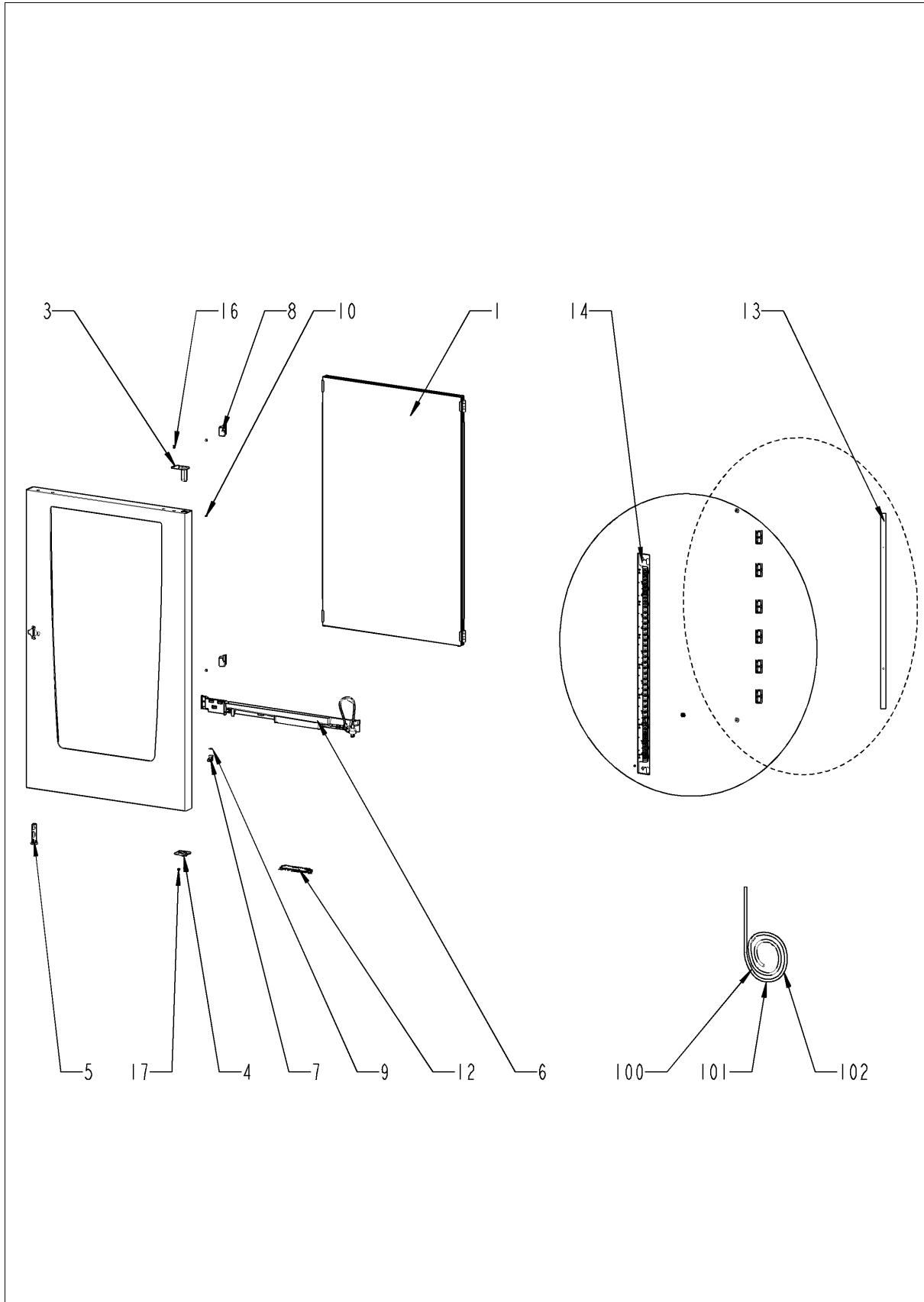
Door



Door

| Pos. | Part no. | Description | Qty. |
|-------------|-----------------|-------------------------------|-------------|
| 1 | 24.02.923 | Door handle | 1 |
| 2 | 24.03.041 | Door lock with spring U-bolt | 1 |
| 3 | 24.03.184 | Lock cover | 1 |
| 4 | 24.02.814 | Door mounting support bottom | 1 |
| 5 | 10.00.090 | Cap f. Torx T30 | 2 |
| 6 | 1006.1962 | Countersunk screw Torx M6x16 | 2 |
| 7 | 24.00.133 | Door mounting support top | 1 |
| 8 | 1008.0768 | Ornamental screw M8x16 | 3 |
| 10 | 24.02.967 | Cable cover | 1 |
| 11 | 24.02.951 | Door bolt | 1 |
| 12 | 10.01.527 | Hex screw M8x12 | 1 |
| 14 | 24.03.040 | Door bolt | 1 |
| 15 | 1008.0769 | Ornamental screw M8x30 | 1 |
| 17 | 2001.0109 | Compression spring | 1 |
| 18 | 24.02.958 | Holding bracket f. door catch | 1 |
| 19 | 1006.0760 | Hex screw M6x16 | 2 |
| 20 | 1306.0120 | Washer A6,4 | 2 |
| 21 | 24.02.959 | Door catch | 1 |
| 22 | 24.02.960 | Interlocking tooth screw M5x6 | 1 |
| 24 | 24.03.288 | Spring U-bolt for door lock | 1 |
| A | 24.03.087 | Door | 1 |

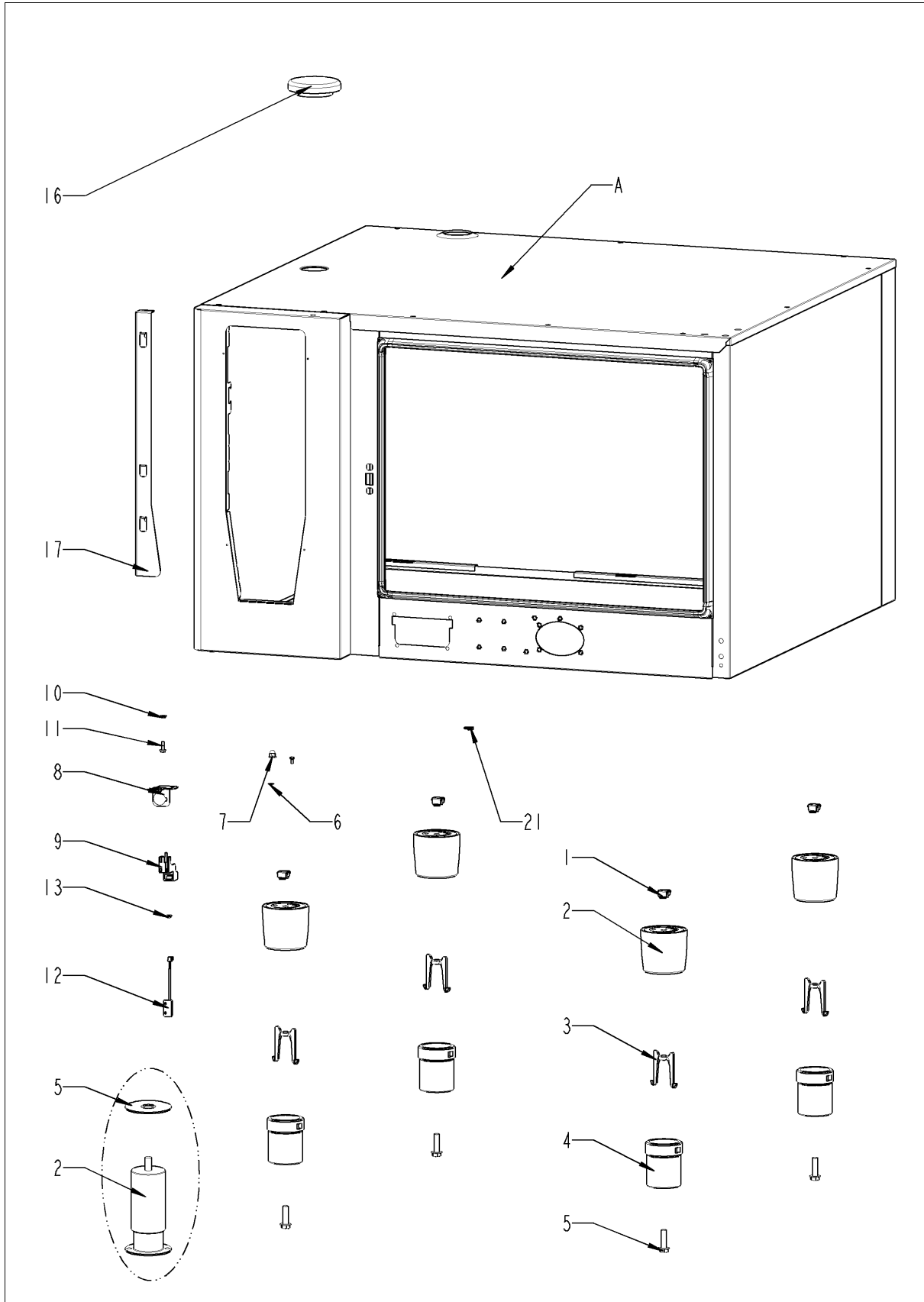
Door



Door

| Pos. | Part no. | Description | Qty. |
|-------------|-----------------|-------------------------------------------|-------------|
| 1 | 87.01.411 | Glass pane bundle | 1 |
| 3 | 24.03.052 | Sleeve for door bolt top | 1 |
| 4 | 24.02.966 | Door setting bolt | 1 |
| 5 | 24.00.502 | Fixing device f. magnet with magnet | 1 |
| 6 | 87.01.429 | Door drip collector | 1 |
| 7 | 24.03.056 | Slide bush for door | 1 |
| 8 | 24.03.060 | Fixing bracket for interior glass pane | 2 |
| 9 | 24.03.057 | Abrasion protection for glide socket | 1 |
| 10 | 24.03.062 | Cover cap for door | 1 |
| 12 | 42.00.193 | Bus interface A8 | 1 |
| 13 | 87.01.371 | LED bar, left/right | 2 |
| 14 | 87.01.366 | LED optics | 2 |
| 16 | 10.00.890 | Rivet 4x10 | 1 |
| 17 | 10.00.904 | Rivet B4x8 | 2 |
| 19 | 87.01.377 | Plastic spreader rivet | 4 |
| 100 | 40.05.301 | Cable, interior light W40 *door lighting* | 1 |
| 101 | 40.05.300 | Cable, interior light W45 *handle side* | 1 |
| 102 | 40.05.299 | Cable, interior light W46 *hinge side* | 1 |

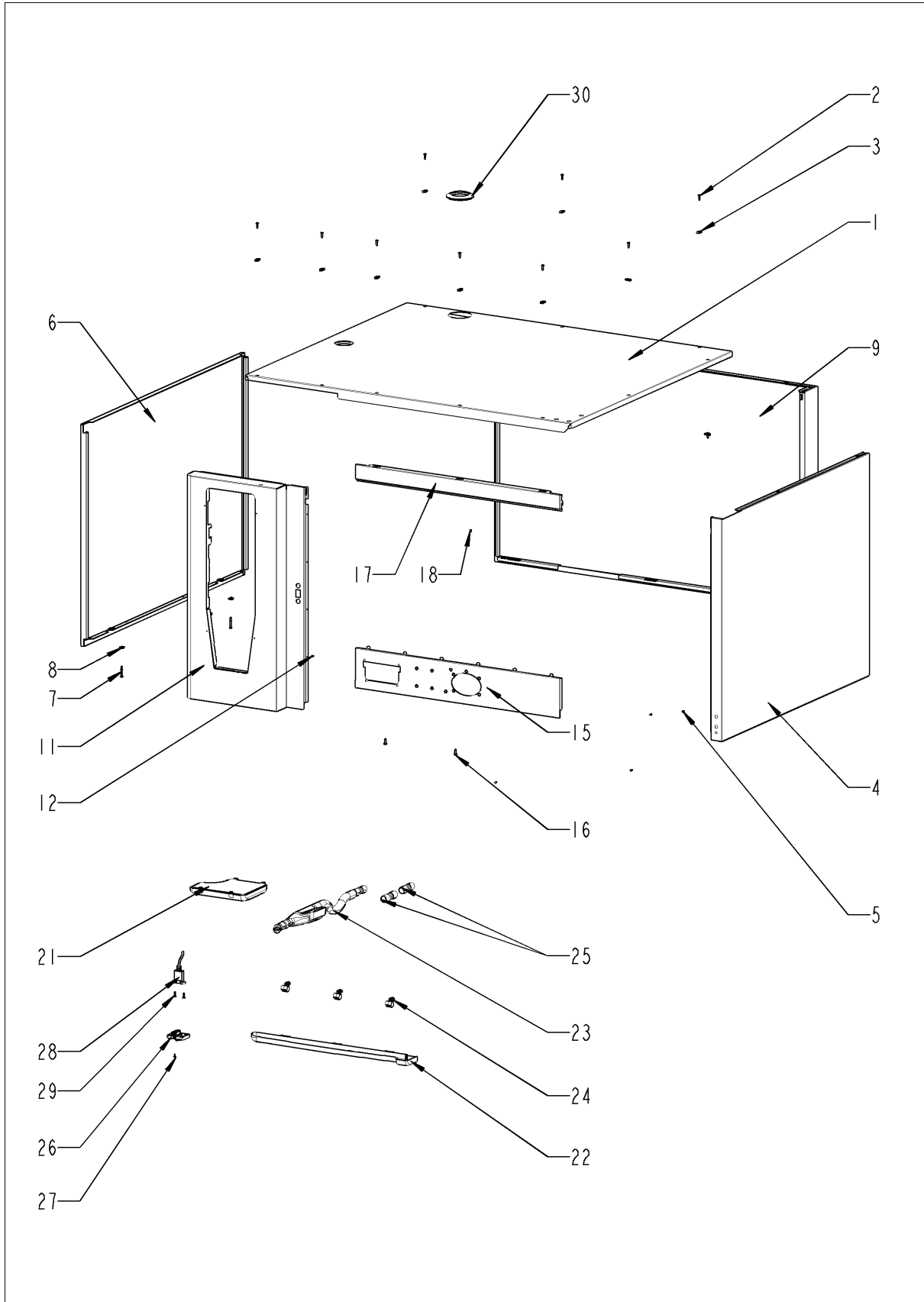
Exterior cabinet



Exterior cabinet

| Pos. | Part no. | Description | Qty. |
|-------------|-----------------|--------------------------------------------|-------------|
| 1 | 1110.0800 | Cage nut M10 | 4 |
| 2 | 12.00.205 | Upper part of pedestal | 1 |
| 3 | 12.00.516 | Turning lock f. lower part of pedestal | 1 |
| 4 | 12.01.133 | Lower part of pedestal | 4 |
| 5 | 10.00.975 | Hex screw M10x35 | 1 |
| 6 | 10.00.745 | Cap nut M6*A2 | 1 |
| 7 | 1206.0120 | Tooth lock washer A6,4 | 1 |
| 8 | 12.00.950 | Bracket for door contact switch/drain pipe | 1 |
| 9 | 16.01.146 | Bracket for door contact switch | 1 |
| 12 | 40.04.342 | Door switch 0.45m | 1 |
| 13 | 1105.0123 | Hex combination nut M4 | 1 |
| 16 | 22.00.767 | Vent cover | 1 |
| 17 | 16.02.870 | Opening mechanism for panel insert | 1 |
| 21 | 1104.0820 | Snap nut 4,2mm | 3 |
| A | | Exterior cabinet | 1 |

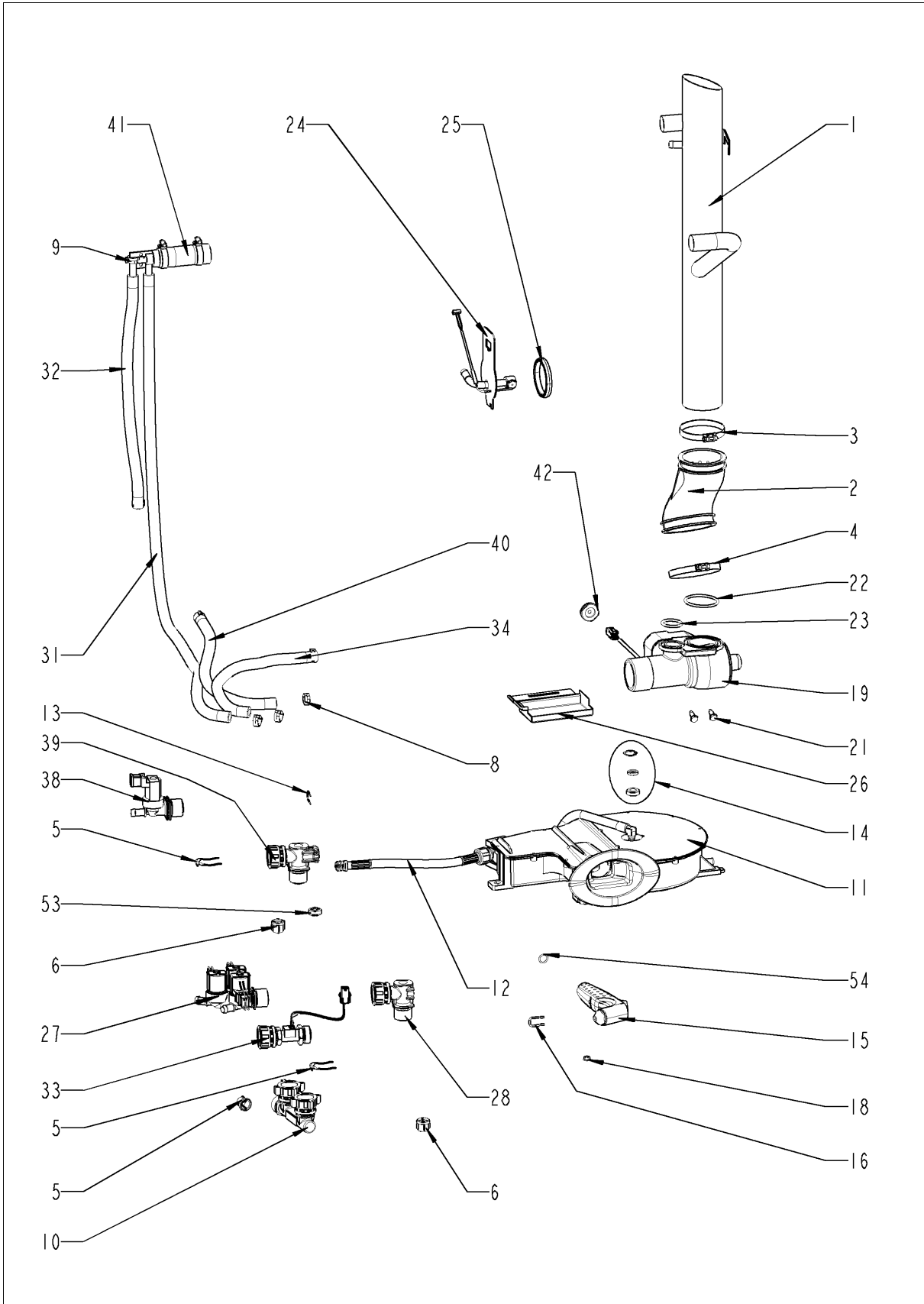
Exterior cabinet



Exterior cabinet

| Pos. | Part no. | Description | Qty. |
|-------------|-----------------|---------------------------------------|-------------|
| 1 | 16.02.153 | Top cover | 1 |
| 2 | 1003.2265 | Countersunk self tapping screw 4,2x16 | 10 |
| 3 | 1104.0820 | Snap nut 4,2mm | 8 |
| 4 | 16.00.146 | Side panel right | 1 |
| 5 | 1603.0166 | Rivet 3,2x7,9 CNS closed | 4 |
| 6 | 16.00.147 | Side panel left | 1 |
| 7 | 10.00.992 | Hex self tapping screw B4,2x32 | 2 |
| 8 | 1104.0820 | Snap nut 4,2mm | 2 |
| 9 | 16.01.925 | Back panel | 1 |
| 11 | 16.02.728 | Front panel | 1 |
| 12 | 1603.0166 | Rivet 3,2x7,9 CNS closed | 4 |
| 15 | 16.01.511 | Crossbar below | 1 |
| 16 | 1004.2160 | Hex self tapping screw 4,2x16 | 3 |
| 17 | 16.00.186 | Crossbar top | 1 |
| 18 | 1603.0166 | Rivet 3,2x7,9 CNS closed | 4 |
| 21 | 40.02.684 | Air inlet filter cpl. | 1 |
| 22 | 50.00.300 | Drip collector | 1 |
| 23 | 50.01.192 | Drain pipe with bushing | 1 |
| 24 | 50.00.296 | Clip f. drip collector | 4 |
| 25 | 50.00.303 | Bushing drip collector | 2 |
| 26 | 16.00.329 | Cover f. USB interface | 1 |
| 27 | 10.00.103 | EJOT PT-screw KA 3.5x10 | 1 |
| 28 | 40.04.046 | Interface cable USB 1.0m | 1 |
| 29 | 10.00.460 | EJOT PT-Screw Torx 3,5x14 | 2 |
| 30 | 16.01.748 | Gasket f. breather tube d=63mm | 1 |

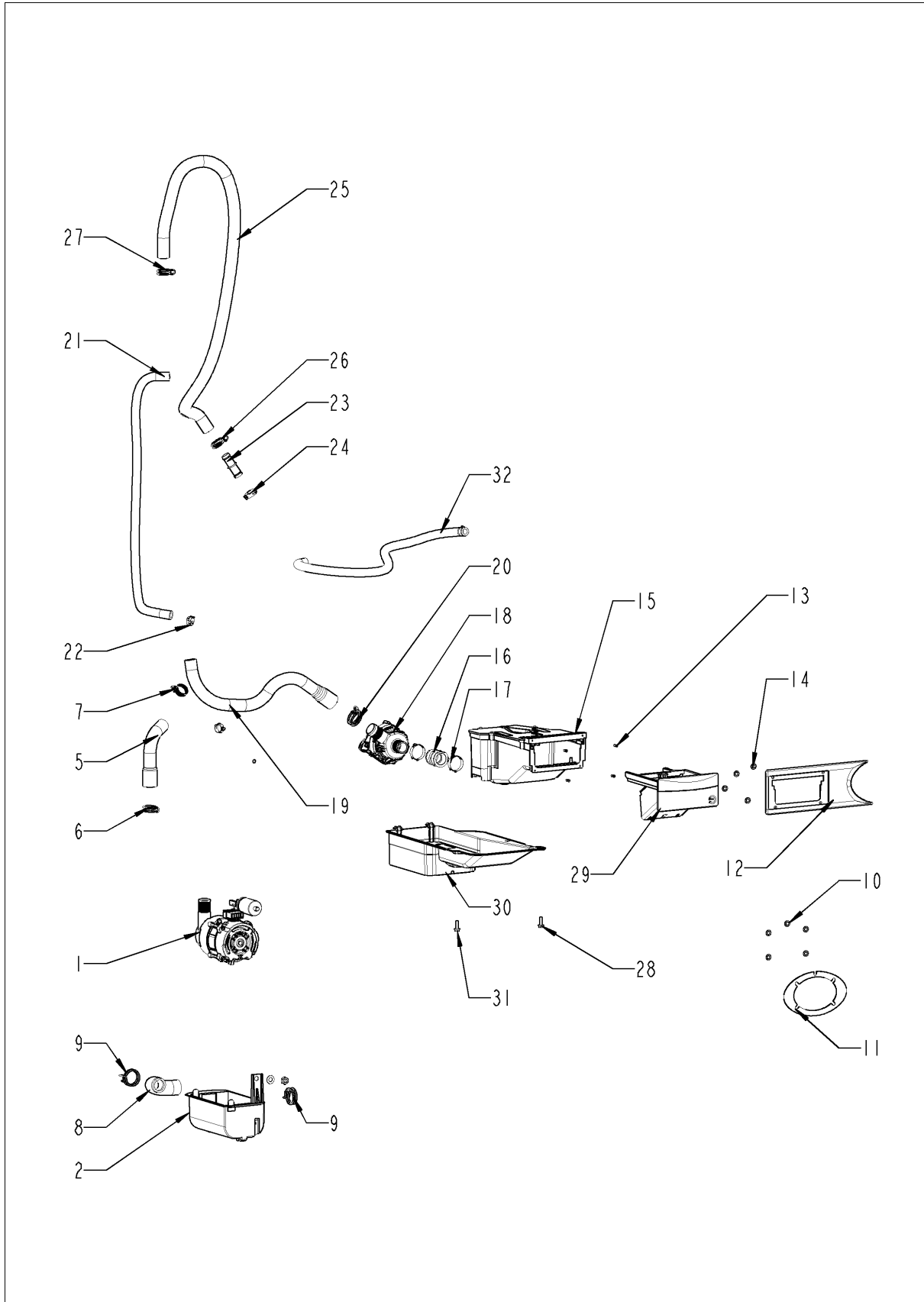
Water



Water

| Pos. | Part no. | Description | Qty. |
|-------------|-----------------|---------------------------------------------|-------------|
| 1 | 54.00.739 | Ventilation pipe | 1 |
| 2 | 54.01.141 | Rubber form piece venting pipe | 1 |
| 4 | 10.01.262 | Hose clamp 76 mm | 1 |
| 5 | 50.00.086 | Locking plate f. water distribution | 1 |
| 6 | 1900.0202 | Water filter | 2 |
| 8 | 2066.0205 | Hose clamp 8-16x9 mm SW 7mm | 2 |
| 9 | 2066.0205 | Hose clamp 8-16x9 mm SW 7mm | 2 |
| 11 | 50.00.140 | Hand shower roll guide | 1 |
| 12 | 50.01.213 | Connect. hose f. hand shower roll guide | 1 |
| 13 | 50.00.085 | Plug-in spring f. hand shower roll guide | 1 |
| 14 | 87.00.417 | Repair set shaft seal 01/2004 | 1 |
| 15 | 50.00.282 | Hand shower black | 1 |
| 16 | 50.00.156 | Clamp f. hand shower roll guide | 1 |
| 18 | 1105.0121 | Hex combination nut M5 galv | 1 |
| 19 | 56.00.618 | Ball valve drain SCC cpl. | 1 |
| 21 | 10.00.449 | Pan head screw M6x16 | 2 |
| 22 | 10.00.511 | O-ring for ball valve drain 46x3.5 | 1 |
| 23 | 10.00.512 | O-ring for ball valve drain 26x3.5 | 1 |
| 24 | 54.01.169 | Inspection lid, quenching nozzle, B2 | 1 |
| 25 | 54.01.168 | Gasket f. inspection lid | 1 |
| 26 | 54.01.191 | Collecting pan | 1 |
| 27 | 50.01.050 | Triple solenoid valve | 1 |
| 28 | 50.00.071 | Water distribution hor. w/o roll guide con. | 1 |
| 31 | 2067.0050 | Pressure hose d10mm | 1.1 |
| 32 | 2067.0050 | Pressure hose d10mm | .41 |
| 33 | 50.01.640 | Water volume sensor | 1 |
| 34 | 2067.0050 | Pressure hose d10mm | .53 |
| 38 | 50.01.146 | Single solenoid valve Y2 | 1 |
| 39 | 50.00.070 | Water distribution hor roll guide con. | 1 |
| 40 | 2067.0050 | Pressure hose d10mm | .4 |
| 41 | 8354.1304 | Venting valve for steam generator | 1 |
| 42 | 2022.0101 | Grommet d8mm | 1 |
| 53 | 1900.0102 | Flow controller red 5 l/min | 1 |
| 54 | 50.00.554 | O-ring for hand shower 11x2mm | 2 |

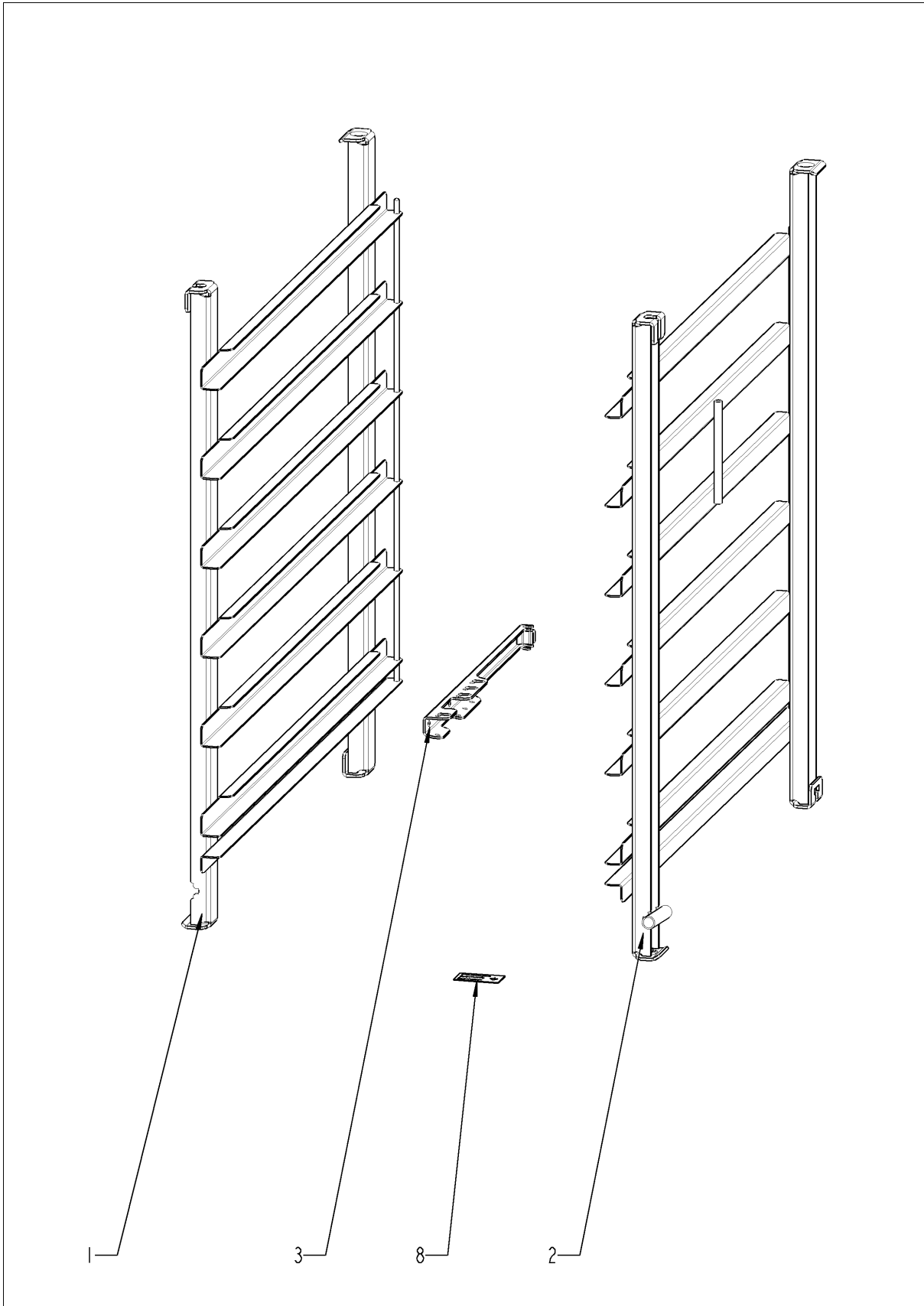
CleanJet + Care



CleanJet + Care

| Pos. | Part no. | Description | Qty. |
|-------------|-----------------|--------------------------------------|-------------|
| 1 | 56.00.153 | Pump f. cleaning UP30 | 1 |
| 2 | 12.00.319 | Housing f. Cleaning pump | 1 |
| 5 | 56.00.166 | Pressure hose f. cleaning | 1 |
| 6 | 2066.0518 | Hose clamp 30mm | 1 |
| 7 | 2066.0521 | Hose clamp 27mm | 1 |
| 8 | 56.00.607 | Suction hose f. cleaning | 1 |
| 9 | 2066.0518 | Hose clamp 30mm | 2 |
| 10 | 1107.0100 | Star lock ø4 | 5 |
| 11 | 50.00.754 | Tulip for handshower with tape black | 1 |
| 12 | 56.00.392 | Frame for drawer CareControl | 1 |
| 13 | 10.00.980 | EJOT PT-Screw K30x10 | 4 |
| 15 | 56.00.492 | Care container table unit | 1 |
| 16 | 56.00.462 | Bushing care container/pump | 1 |
| 17 | 10.00.984 | Hose clamp CLIC d=27.5mm | 2 |
| 18 | 56.00.451 | Pump f. CareControl DPS 35 | 1 |
| 19 | 56.00.540 | Care hose 1 | 1 |
| 20 | 2066.0518 | Hose clamp 30mm | 1 |
| 21 | 2067.0164 | Pressure hose ø10mm 650mm long | 1 |
| 22 | 10.00.873 | Hose clamp CLIC d=15.5mm | 1 |
| 23 | 56.00.537 | Pipe f. Care hose | 1 |
| 24 | 10.00.983 | Hose clamp CLIC d=23mm | 1 |
| 25 | 56.00.457 | Care hose 2 | 1 |
| 26 | 10.00.605 | Hose clamp ø25.3 | 1 |
| 27 | 10.00.979 | Cable clamp D=22 | 1 |
| 28 | 1005.2000 | Interlocking tooth screw M5x8 | 1 |
| 29 | 56.00.402 | Drawer Care container | 1 |
| 30 | 56.00.375 | Cover for pump | 1 |
| 31 | 10.00.989 | Rivet with screw | 2 |
| 32 | 2067.0050 | Pressure hose d10mm | .65 |

Standard accessory



Standard accessory

| Pos. | Part no. | Description | Qty. |
|-------------|-----------------|------------------------------------|-------------|
| 1 | 60.62.124 | Hinging rack left Typ 62 | 1 |
| 2 | 60.62.125 | Hinging rack right Typ 62 | 1 |
| 3 | 60.71.022 | Positioning support f. core sensor | 1 |
| 8 | 10.01.193 | Sticker set | 1 |

Index

| Part no. | Description | Page |
|-----------------|--------------------------------------------------|-------------|
| 24.03.057 | Abrasion protection for glide socket | 27 |
| 40.04.331 | Adaptor cable f. Ball valve drain | 9 |
| 22.00.702 | Air baffle | 21 |
| 40.02.684 | Air inlet filter cpl. | 31 |
| 22.00.914 | Air inlet pipe | 11 |
| 40.02.641 | Auxilliary contact B&J HN10 N/O | 9 |
| 16.01.925 | Back panel | 31 |
| 56.00.618 | Ball valve drain SCC cpl. | 33 |
| 16.01.146 | Bracket for door contact switch | 29 |
| 12.00.950 | Bracket for door contact switch/drain pipe | 29 |
| 40.03.998 | Bus cable 1.15m | 7 |
| 42.00.193 | Bus interface A8 | 27 |
| 56.00.462 | Bushing care container/pump | 35 |
| 50.00.303 | Bushing drip collector | 31 |
| 20.01.411 | Bushing for motor mounting bar | 19 |
| 10.00.979 | Cable clamp D=22 | 35 |
| 10.00.111 | Cable clip long | 11, 19 |
| 40.04.956 | Cable control harness | 9 |
| 24.02.967 | Cable cover | 25 |
| 40.00.306 | Cable entry | 7 |
| 40.02.965 | Cable harness solenoid valve / SC-pump | 9 |
| 40.03.516 | Cable MMI - CPU | 5 |
| 40.03.515 | Cable MMI - TFT | 5 |
| 40.03.467 | Cable On-Off switch MMI | 5 |
| 10.00.414 | Cable strap black 120° | 13 |
| 40.05.301 | Cable, interior light W40 *door lighting* | 27 |
| 40.05.300 | Cable, interior light W45 *handle side* | 27 |
| 40.05.299 | Cable, interior light W46 *hinge side* | 27 |
| 40.05.297 | Cable, interior light W48 | 7 |
| 1110.0800 | Cage nut M10 | 29 |
| 10.00.090 | Cap f. Torx T30 | 25 |
| 10.01.076 | Cap nut M5*A2 | 17, 21 |

Index

| Part no. | Description | Page |
|-----------------|-----------------------------------------------|-------------|
| 10.00.745 | Cap nut M6*A2 | 29 |
| 56.00.492 | Care container table unit | 35 |
| 56.00.540 | Care hose 1 | 35 |
| 56.00.457 | Care hose 2 | 35 |
| 50.00.156 | Clamp f. hand shower roll guide | 33 |
| 10.00.087 | Clamp strap f. sensor | 21 |
| 50.00.296 | Clip f. drip collector | 31 |
| 54.01.191 | Collecting pan | 33 |
| 2001.0109 | Compression spring | 25 |
| 50.01.213 | Connect. hose f. hand shower roll guide | 33 |
| 40.03.360 | Contacto assembly | 9 |
| 40.03.668 | Contacto B&J K3-24B00 190 R | 9 |
| 87.01.301 | Control panel insert with overlay *RAT* | 5 |
| 42.00.261 | Control pcb | 7 |
| 40.03.348 | Control transformer T1 | 9 |
| 40.03.257 | Converter 230VAC 24VDC | 7 |
| 40.03.428 | Cooling fan with NTC | 7 |
| 1315.0104 | Copper washer 16x20x1,5 | 21 |
| 1006.1962 | Countersunk screw Torx M6x16 | 25 |
| 1003.2265 | Countersunk self tapping screw 4,2x16 | 31 |
| 24.03.062 | Cover cap for door | 27 |
| 16.02.889 | Cover f. control pcb w. gasket | 5 |
| 16.00.329 | Cover f. USB interface | 31 |
| 56.00.375 | Cover for pump | 35 |
| 16.01.511 | Crossbar below | 31 |
| 16.00.186 | Crossbar top | 31 |
| 22.00.361 | Deep-draw f. air baffle | 23 |
| 16.02.062 | Dial f. pulse generator | 5 |
| 24.03.087 | Door | 25 |
| 24.02.951 | Door bolt | 25 |
| 24.03.040 | Door bolt | 25 |
| 24.02.959 | Door catch | 25 |

Index

| Part no. | Description | Page |
|-----------------|----------------------------------------------|-------------|
| 87.01.429 | Door drip collector | 27 |
| 20.02.551 | Door gasket | 21 |
| 24.02.923 | Door handle | 25 |
| 24.03.041 | Door lock with spring U-bolt | 25 |
| 24.02.814 | Door mounting support bottom | 25 |
| 24.00.133 | Door mounting support top | 25 |
| 24.02.966 | Door setting bolt | 27 |
| 40.04.342 | Door switch 0.45m | 29 |
| 22.00.959 | Drain hose for humidity control | 11 |
| 44.01.220 | Drain hose steam generator | 13 |
| 50.01.192 | Drain pipe with bushing | 31 |
| 56.00.402 | Drawer Care container | 35 |
| 50.00.300 | Drip collector | 31 |
| 40.01.329 | Dry up protector 183°C | 9 |
| 40.05.274 | Earth terminal WKFN 16 SL/35 | 9 |
| 10.00.980 | EJOT PT-Screw K30x10 | 35 |
| 10.00.103 | EJOT PT-screw KA 3.5x10 | 31 |
| 10.00.460 | EJOT PT-Screw Torx 3,5x14 | 31 |
| 40.02.424 | Electronic noise filter | 9 |
| 44.00.207 | Emptying pump | 13 |
| 40.03.661 | Fan housing | 7 |
| 40.03.513 | Fan motor with motor shaft gasket | 19 |
| 22.00.829 | Fan wheel | 19 |
| 44.01.417 | Filling level electrode 90 mm | 13 |
| 44.01.168 | Fixing angle steam generator | 13 |
| 24.03.060 | Fixing bracket for interior glass pane | 27 |
| 40.03.780 | Fixing clip core temp. cable | 23 |
| 40.03.756 | Fixing clip f. pcb | 7 |
| 40.03.533 | Fixing clip f. pcb | 7 |
| 24.00.502 | Fixing device f. magnet with magnet | 27 |
| 44.01.201 | Fixing device f. pump steam generator | 13 |
| 22.00.721 | Flange f. motor shaft gasket | 19 |

Index

| Part no. | Description | Page |
|-----------------|--------------------------------------------------------|-------------|
| 1900.0102 | Flow controller red 5 l/min | 33 |
| 56.00.392 | Frame for drawer CareControl | 35 |
| 16.02.728 | Front panel | 31 |
| 4001.0224 | Fuse 6.35x32mm | 9 |
| 40.02.512 | Fuse holder 2x6.3A | 9 |
| 16.01.748 | Gasket f. breather tube d=63mm | 31 |
| 40.03.415 | Gasket f. heating assembly | 17 |
| 44.00.279 | Gasket f. heating element | 13 |
| 44.00.280 | Gasket f. heating element+Level elektrode insert | 13 |
| 22.00.881 | Gasket f. hum. meas. Pipe | 11 |
| 54.01.168 | Gasket f. inspection lid | 33 |
| 40.00.091 | Gasket frame w. glass a. gaskets | 21 |
| 87.01.411 | Glass pane bundle | 27 |
| 22.01.196 | Graphit seal for gasket flange | 19 |
| 2022.0101 | Grommet d8mm | 33 |
| 3024.0201 | Halogen bulb 300°C | 21 |
| 22.00.730 | Hand protection | 23 |
| 50.00.282 | Hand shower black | 33 |
| 50.00.140 | Hand shower roll guide | 33 |
| 40.03.932 | Heat sink big 2 SSR | 7 |
| 40.03.296 | Heating assembly | 17 |
| 44.01.334 | Heating element | 13 |
| 1105.0123 | Hex combination nut M4 | 29 |
| 1104.0122 | Hex combination nut M4 galv | 11, 13 |
| 1105.0121 | Hex combination nut M5 galv | 7, 33 |
| 10.00.100 | Hex nut M4, self-locking | 21 |
| 1105.0120 | Hex nut M5 | 7 |
| 10.01.065 | Hex nut M5 | 9, 19 |
| 10.00.709 | Hex nut M6 w. locking | 13, 19 |
| 3014.0327 | Hex nut M10x1,0 | 9, 21 |
| 10.00.612 | Hex nut M16 flat | 21 |
| 10.00.109 | Hex screw M5x23 | 17 |

Index

| Part no. | Description | Page |
|-----------------|----------------------------------------------|-------------|
| 1006.0762 | Hex screw M6x10 | 13 |
| 1006.0760 | Hex screw M6x16 | 25 |
| 10.01.527 | Hex screw M8x12 | 25 |
| 10.00.936 | Hex screw M8x20 | 19 |
| 10.00.975 | Hex screw M10x35 | 29 |
| 1004.2160 | Hex self tapping screw 4,2x16 | 31 |
| 10.00.992 | Hex self tapping screw B4,2x32 | 31 |
| 60.62.124 | Hinging rack left Typ 62 | 37 |
| 60.62.125 | Hinging rack right Typ 62 | 37 |
| 24.02.958 | Holding bracket f. door catch | 25 |
| 2066.0205 | Hose clamp 8-16x9 mm SW 7mm | 33 |
| 2066.0521 | Hose clamp 27mm | 35 |
| 2066.0518 | Hose clamp 30mm | 13, 35 |
| 2066.0504 | Hose clamp 40-60mm | 13 |
| 10.01.262 | Hose clamp 76 mm | 33 |
| 10.00.873 | Hose clamp CLIC d=15.5mm | 35 |
| 10.00.983 | Hose clamp CLIC d=23mm | 35 |
| 10.00.984 | Hose clamp CLIC d=27.5mm | 35 |
| 2066.0527 | Hose clamp ø14mm | 11, 15 |
| 2066.0530 | Hose clamp ø16.4mm | 15 |
| 10.00.605 | Hose clamp ø25.3 | 35 |
| 2066.0519 | Hose clamp Ø35,6mm | 13 |
| 2066.0526 | Hose clamp ø46mm | 13 |
| 22.00.525 | Hose set f. humidity control | 11 |
| 12.00.319 | Housing f. Cleaning pump | 35 |
| 22.00.725 | Humidity control cpl. | 11 |
| 54.01.169 | Inspection lid, quenching nozzle, B2 | 33 |
| 40.04.046 | Interface cable USB 1.0m | 31 |
| 24.02.960 | Interlocking tooth screw M5x6 | 25 |
| 1005.2000 | Interlocking tooth screw M5x8 | 35 |
| 20.01.755 | Isolation for mounting plate for motor | 19 |
| 2062.0331 | Junction pressure hose GS 10 | 15 |

Index

| Part no. | Description | Page |
|-----------------|-------------------------------------------|-------------|
| 2760.1370 | Latch hook for air baffle | 23 |
| 87.01.371 | LED bar, left/right | 27 |
| 87.01.366 | LED optics | 27 |
| 2920.1300 | Level elektrode insert | 13 |
| 24.03.184 | Lock cover | 25 |
| 50.00.086 | Locking plate f. water distribution | 33 |
| 40.03.928 | Loudspeaker cpl. | 7 |
| 12.01.133 | Lower part of pedestal | 29 |
| 40.03.410 | Mating flange f. heating assembly | 17 |
| 40.04.098 | Meat probe sensor | 21 |
| 42.00.081 | MMI pcb | 5 |
| 22.00.985 | Motor shaft gasket D15 | 19 |
| 40.03.359 | Mounting base for control pcb | 7 |
| 22.00.882 | Mounting device f. pressure sensor | 11 |
| 40.03.372 | Mounting device heat sink SSR | 7 |
| 22.00.722 | Mounting support f. gasket flange | 19 |
| 40.03.404 | Mounting support transformer | 9 |
| 50.00.844 | Nozzle f. moistening | 17 |
| 16.02.870 | Opening mechanism for panel insert | 29 |
| 42.00.112 | Operator pcb *TFT* | 5 |
| 10.00.512 | O-ring for ball valve drain 26x3.5 | 33 |
| 10.00.511 | O-ring for ball valve drain 46x3.5 | 33 |
| 50.00.554 | O-ring for hand shower 11x2mm | 33 |
| 22.00.837 | O-ring for humidity control | 11 |
| 1008.0768 | Ornamental screw M8x16 | 25 |
| 1008.0769 | Ornamental screw M8x30 | 25 |
| 22.00.850 | Outer humidity meas. Piece | 11 |
| 54.01.117 | Outlet sieve | 21 |
| 10.00.449 | Pan head screw M6x16 | 33 |
| 10.00.365 | Pan head screw Torx M3x20 | 9 |
| 10.01.266 | Pan head screw Torx T20 10,5mm | 7 |
| 10.00.061 | Pan head screw Torx T20 M4x12 | 7 |

Index

| Part no. | Description | Page |
|-----------------|-----------------------------------------------------|-------------|
| 56.00.537 | Pipe f. Care hose | 35 |
| 50.01.721 | Plastic pipe 4,5x0,75x178mm | 17 |
| 87.01.377 | Plastic spreader rivet | 27 |
| 50.00.085 | Plug-in spring f. hand shower roll guide | 33 |
| 60.71.022 | Positioning support f. core sensor | 37 |
| 8801.0136 | Power supply cable 5x4mm ² 3m | 7 |
| 42.00.224 | Power supply for level interior light | 7 |
| 2067.0050 | Pressure hose d10mm | 33, 35 |
| 56.00.166 | Pressure hose f. cleaning | 35 |
| 2067.0164 | Pressure hose ø10mm 650mm long | 35 |
| 3017.1011 | Pressure sensor for humidity control Huba 401 | 11 |
| 40.00.404 | Pulse generator | 5 |
| 2118.1000 | Pump connection spout | 15 |
| 8354.1320 | Pump connection spout cpl. | 13 |
| 56.00.451 | Pump f. CareControl DPS 35 | 35 |
| 56.00.153 | Pump f. cleaning UP30 | 35 |
| 40.00.098 | Reflector f. interior light | 21 |
| 87.00.417 | Repair set shaft seal 01/2004 | 33 |
| 10.00.515 | Rivet 3,2x5 A4 | 23 |
| 1603.0166 | Rivet 3,2x7,9 CNS closed | 31 |
| 1604.0167 | Rivet 4x10 | 23 |
| 10.00.890 | Rivet 4x10 | 27 |
| 10.00.904 | Rivet B4x8 | 27 |
| 10.01.429 | Rivet nut M5 hexagon closed with gasket | 21 |
| 10.00.989 | Rivet with screw | 7, 35 |
| 54.01.141 | Rubber form piece venting pipe | 33 |
| 40.01.482 | Safety temperature limiter 365°C | 9, 21 |
| 40.04.373 | Screen core temperature sensor | 21 |
| 40.03.782 | Screen interior cabinet sensor | 21 |
| 42.00.128 | SD-memory card | 7 |
| 16.02.865 | Sealing f. panel insert | 5 |
| 16.00.147 | Side panel left | 31 |

Index

| Part no. | Description | Page |
|-----------------|---------------------------------------------|-------------|
| 16.00.146 | Side panel right | 31 |
| 2110.1008 | Silicon hose ø10x2mm | 15 |
| 50.01.146 | Single solenoid valve Y2 | 33 |
| 24.03.052 | Sleeve for door bolt top | 27 |
| 24.03.056 | Slide bush for door | 27 |
| 1104.0820 | Snap nut 4,2mm | 29, 31 |
| 40.00.453 | Solid state relais | 7 |
| 24.03.288 | Spring U-bolt for door lock | 25 |
| 10.01.049 | Square necked mushroom head bolt 6x30 | 19 |
| 1107.0103 | Star lock ø3 | 17 |
| 1107.0100 | Star lock ø4 | 35 |
| 44.00.939 | Steam generator insulated | 13 |
| 2112.1006 | Steam hose Ø50x50mm | 13 |
| 10.01.193 | Sticker set | 37 |
| 2120.1259 | Stop plug 10mm | 15 |
| 56.00.607 | Suction hose f. cleaning | 35 |
| 22.00.491 | Surge guard for Meat probe sensor | 23 |
| 40.05.026 | Terminal block blue WKFN16/35 | 9 |
| 40.04.639 | Terminal block grey WKFN 6/35 | 9 |
| 40.04.642 | Terminal block grey WKFN 10 D1/2/35 | 9 |
| 40.04.645 | Terminal block grey WKFN 16 D1/2/35 | 9 |
| 40.00.290 | Thermocouple humidity *B4* | 21 |
| 40.04.085 | Thermocouple interior cabinet B1 | 21 |
| 40.04.106 | Thermocouple steam generator *B5* | 13 |
| 4005.0101 | Tie rap 145 mm | 15 |
| 40.03.732 | Tie rap 160 mm | 7 |
| 1204.0120 | Tooth lock washer A4,3 | 7 |
| 1205.0120 | Tooth lock washer A5,3 | 7 |
| 1206.0120 | Tooth lock washer A6,4 | 29 |
| 16.02.153 | Top cover | 31 |
| 50.01.050 | Triple solenoid valve | 33 |
| 50.00.754 | Tulip for handshower with tape black | 35 |

Index

| Part no. | Description | Page |
|-----------------|--------------------------------------------------|-------------|
| 12.00.516 | Turning lock f. lower part of pedestal | 29 |
| 50.00.846 | Union nut M12x13.2 N | 17 |
| 12.00.205 | Upper part of pedestal | 29 |
| 22.00.767 | Vent cover | 11, 29 |
| 54.00.739 | Ventilation pipe | 33 |
| 8354.1304 | Venting valve for steam generator | 33 |
| 10.00.744 | Washer A4,3 *A4 | 23 |
| 1306.0120 | Washer A6,4 | 25 |
| 1308.0162 | Washer A8,4 | 19 |
| 50.00.070 | Water distribution hor roll guide con. | 33 |
| 50.00.071 | Water distribution hor. w/o roll guide con. | 33 |
| 1900.0202 | Water filter | 33 |
| 50.01.640 | Water volume sensor | 33 |
| 40.04.362 | Wiring interior light | 7, 21 |

